

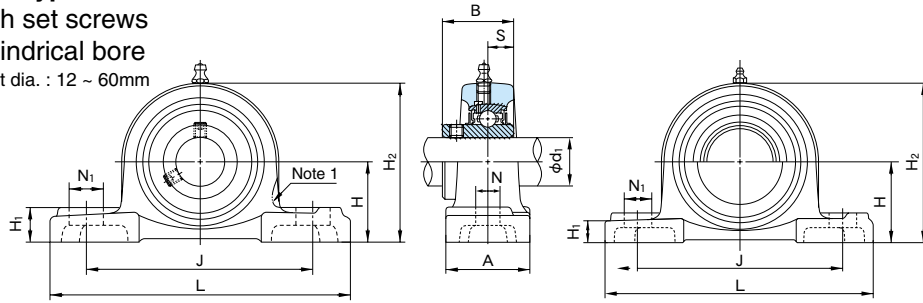
## Pillow Block Units

### UCP type

With set screws

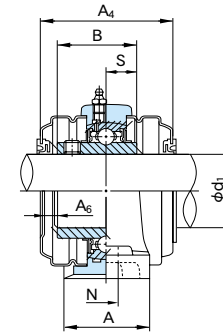
Cylindrical bore

Shaft dia. : 12 ~ 60mm

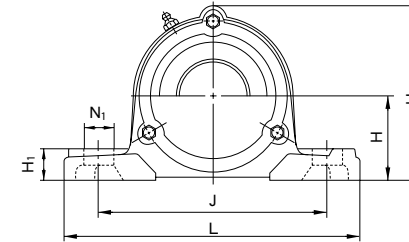


Note 1. The line shows figure of UCPX00series

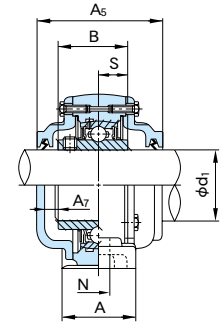
With steel covers



1N=0.102kgf



With cast covers



Shaft dia. d <sub>1</sub> (mm)	Unit No.	Boundary dimensions (mm)															Bolt size	Bearings			Housing No.	Unit No. with steel covers		Unit No. with cast covers		Mass of Unit (kg)		
		H	L	A	J	N	N <sub>1</sub>	H <sub>1</sub>	H <sub>2</sub>	H <sub>5</sub>	B	S	A <sub>4</sub>	A <sub>5</sub>	A <sub>6</sub>	A <sub>7</sub>		No.	Basic load rating (N)			No.	Covers with rubber seal (End cover on one side)	Covers with rubber seal (End cover on one side)	standard	with steel cover	with cast cover	
		Cr	Cor																									
12	UCP201	30.2	127	38	95	13	19	15	62	66	31	12.7	56	62	8	6	M10	UC201	12800	6600	P203	UCP201C(E)	CUCP201C(CE)	0.65	0.71	1.1		
15	UCP202	30.2	127	38	95	13	19	15	62	66	31	12.7	56	62	8	6	M10	UC202	12800	6600	P203	UCP202C(E)	CUCP202C(CE)	0.63	0.69	1.1		
17	UCP203	30.2	127	38	95	13	19	15	62	66	31	12.7	56	62	8	6	M10	UC203	12800	6600	P203	UCP203C(E)	CUCP203C(CE)	0.62	0.68	1.1		
20	UCP204	33.3	127	38	95	13	19	15	65	69	31	12.7	56	62	8	6	M10	UC204	12800	6600	P204	UCP204C(E)	CUCP204C(CE)	0.65	0.71	1.1		
25	UCP205	36.5	140	38	105	13	16	16	70	76	34	14.3	63	70	11	9	M10	UC205	14000	7900	P205	UCP205C(E)	CUCP205C(CE)	0.79	0.86	1.4		
	UCPX05	44.4	159	51	119	17	25	18	85	—	38.1	15.9	65	—	9	—	M14	UCX05	19600	11300	PX05	UCPX05C(E)	—	1.5	1.5	—		
	UCP305	45	175	45	132	17	20	16	84	89	38	15	—	78	—	10	M14	UC305	21300	10900	P305	—	CUCP305C(CE)	1.6	—	2.1		
30	UCP206	42.9	165	48	121	17	21	18	83	87	38.1	15.9	65	74	9	8	M14	UC206	19600	11300	P206	UCP206C(E)	CUCP206C(CE)	1.3	1.4	2.0		
	UCPX06	47.6	175	57	127	17	25	20	94	—	42.9	17.5	70	—	8	—	M14	UCX06	25900	15400	PX06	UCPX06C(E)	—	1.9	1.9	—		
	UCP306	50	180	50	140	17	20	19	94	99	43	17	—	84	—	10	M14	UC306	26800	15000	P306	—	CUCP306C(CE)	1.9	—	2.6		
35	UCP207	47.6	167	48	127	17	21	19	94	97	42.9	17.5	70	80	8	8	M14	UC207	25900	15400	P207	UCP207C(E)	CUCP207C(CE)	1.6	1.7	2.5		
	UCPX07	54	203	57	144	17	30	22	105	—	49.2	19	83	—	10	—	M14	UCX07	29300	17900	PX07	UCPX07C(E)	—	2.7	2.7	—		
	UCP307	56	210	56	160	17	25	21	105	110	48	19	—	90	—	10	M14	UC307	33500	19200	P307	—	CUCP307C(CE)	2.7	—	3.4		
40	UCP208	49.2	184	54	137	17	25	19	100	104	49.2	19	82	90	10	8	M14	UC208	29300	17900	P208	UCP208C(E)	CUCP208C(CE)	2.0	2.2	3.0		
	UCPX08	58.7	222	67	156	20	32	26	113	—	49.2	19	82	—	10	—	M16	UCX08	33000	20500	PX08	UCPX08C(E)	—	3.5	3.5	—		
	UCP308	60	220	60	170	17	27	23	116	122	52	19	—	100	—	11	M14	UC308	40500	23900	P308	—	CUCP308C(CE)	3.3	—	4.4		
45	UCP209	54	190	54	146	17	22	20	108	114	49.2	19	82	90	10	8	M14	UC209	33000	20500	P209	UCP209C(E)	CUCP209C(CE)	2.3	2.5	3.4		
	UCPX09	58.7	222	67	156	20	33	26	116	—	51.6	19	87	—	9	—	M16	UCX09	35500	23200	PX09	UCPX09C(E)	—	3.5	3.6	—		
	UCP309	67	245	67	190	20	30	25	128	136	57	22	—	106	—	12	M16	UC309	51500	29500	P309	—	CUCP309C(CE)	4.5	—	5.8		
50	UCP210	57.2	206	60	159	20	25	22	114	120	51.6	19	87	98	9	10	M16	UC210	35500	23200	P210	UCP210C(E)	CUCP210C(CE)	2.7	3.0	4.1		
	UCPX10	63.5	241	73	171	20	36	27	126	—	55.6	22.2	88	—	9	—	M16	UCX10	43000	29400	PX10	UCPX10C(E)	—	4.2	4.5	—		
	UCP310	75	275	75	212	20	35	28	143	149	61	22	—	114	—	12	M16	UC310	61500	38200	P310	—	CUCP310C(CE)	6.2	—	7.6		
55	UCP211	63.5	219	60	171	20	25	22	126	133	55.6	22.2	88	100	9	10	M16	UC211	43000	29400	P211	UCP211C(E)	CUCP211C(CE)	3.3	3.7	5.0		
	UCPX11	69.8	260	79	184	25	36	30	139	—	65.1	25.4	100	—	9	—	M20	UCX11	52500	36100	PX11	UCPX11C(E)	—	5.9	6.2	—		
	UCP311	80	310	80	236	20	38	31	154	159	66	25	—	120	—	13	M16	UC311	71500	44800	P311	—	CUCP311C(CE)	7.7	—	9.6		
60	UCP212	69.8	241	70	184	20	25	25	138	145	65.1	25.4	102	114	10	11	M16	UC212	52500	36100	P212	UCP212C(E)	CUCP212C(CE)	4.7	5.1	6.7		
	UCPX12	76.2	286	83	203	25	41	32	151	—	65.1	25.4	104	—	11	—	M20	UCX12	57500	40000	PX12	UCPX12C(E)	—	7.2	7.4	—		
	UCP312	85	330	85	250	25	38	33	165	169	71	26	—	130	—	14	M20	UC312	81500	52000	P312	—	CUCP312C(CE)	9.3	—	11.0		

Remarks (1): Grease nipple : 1/4-28UNF

Remarks (2): Examples of number of units with covers:

With steel cover { Covers with rubber seal on both sides : UCP210C  
 { An end cover and a cover with rubber seal : UCP210E

With cast cover { Covers with rubber seal on both sides : CUCP210C  
 { An end cover and a cover with rubber seal : CUCP210CE

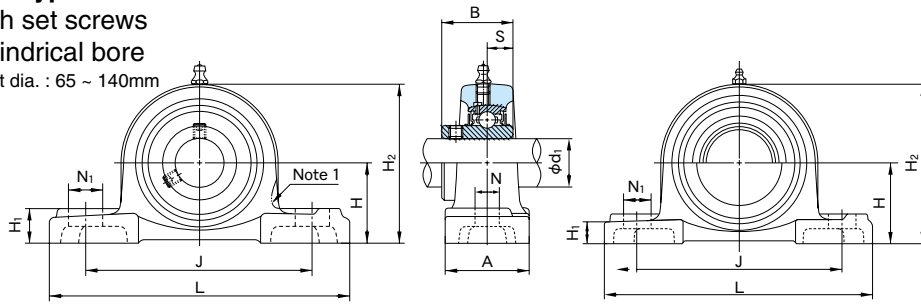
## Pillow Block Units

### UCP type

With set screws

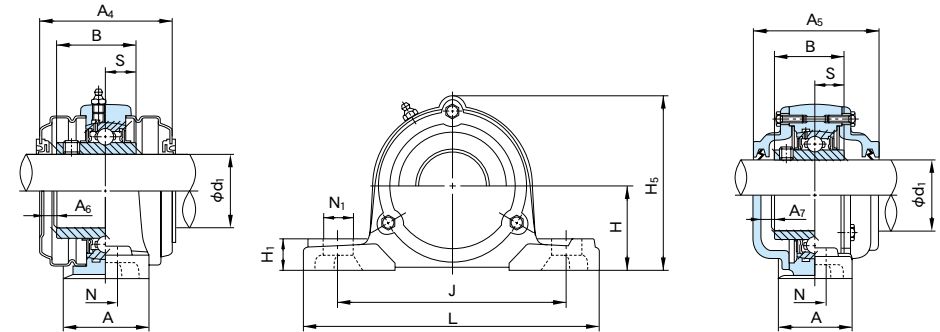
Cylindrical bore

Shaft dia. : 65 ~ 140mm



Note 1. The line shows figure of UCPX00series

With steel covers



1N=0.102kgf

With cast covers

Shaft dia. d <sub>1</sub> (mm)	Unit No.	Boundary dimensions (mm)															Bolt size	Bearings		Housing No.	Unit No. with steel covers		Unit No. with cast covers		Mass of Unit (kg)		
		H	L	A	J	N	N <sub>1</sub>	H <sub>1</sub>	H <sub>2</sub>	H <sub>5</sub>	B	S	A <sub>4</sub>	A <sub>5</sub>	A <sub>6</sub>	A <sub>7</sub>		No.	Basic load rating (N)		Covers with rubber seal (End cover on one side)	Covers with rubber seal (End cover on one side)	standard	with steel cover	with cast cover		
		Cr	Cor																								
65	UCP213	76.2	265	70	203	25	29	27	150	156	65.1	25.4	102	118	10	13	M20	UC213	57500	40000	P213	UCP213C(E)	CUCP213C(CE)	5.6	6.1	7.8	
	UCPX13	76.2	286	83	203	25	41	32	154	—	74.6	30.2	—	—	—	—	M20	UCX13	62000	44000	PX13	—	—	7.4	—	—	
	UCP313	90	340	90	260	25	38	36	174	188	75	30	—	140	—	17	M20	UC313	92500	59700	P313	—	CUCP313C(CE)	9.8	—	14.3	
70	UCP214	79.4	266	72	210	25	31	27	156	162	74.6	30.2	—	134	—	16	M20	UC214	62000	44000	P214	—	CUCP214C(CE)	7.3	—	9.3	
	UCPX14	88.9	330	89	229	27	51	35	172	—	77.8	33.3	—	—	—	—	M22	UCX14	66000	48200	PX14	—	—	11.1	—	—	
	UCP314	95	360	90	280	27	40	40	186	198	78	33	—	140	—	17	M22	UC314	104000	68000	P314	—	CUCP314C(CE)	11.4	—	16.7	
75	UCP215	82.6	275	74	217	25	31	28	163	167	77.8	33.3	—	136	—	17	M20	UC215	66000	48200	P215	—	CUCP215C(CE)	7.9	—	9.6	
	UCPX15	88.9	330	89	229	27	51	35	177	—	82.6	33.3	—	—	—	—	M22	UCX15	72500	53000	PX15	—	—	11.4	—	—	
	UCP315	100	380	100	290	27	40	40	197	208	82	32	—	150	—	17	M22	UC315	114000	76900	P315	—	CUCP315C(CE)	13.6	—	19.6	
80	UCP216	88.9	292	78	232	25	31	30	175	188	82.6	33.3	—	146	—	15	M20	UC216	72500	53000	P216	—	CUCP216C(CE)	10.0	—	12.2	
	UCPX16	101.6	381	102	283	27	59	42	197	—	85.7	34.1	—	—	—	—	M22	UCX16	83500	61800	PX16	—	—	17.4	—	—	
	UCP316	106	400	110	300	27	40	45	209	219	86	34	—	154	—	17	M22	UC316	123000	86400	P316	—	CUCP316C(CE)	16.4	—	23.5	
85	UCP217	95.2	310	83	247	25	31	32	187	199	85.7	34.1	—	150	—	15	M20	UC217	83500	61800	P217	—	CUCP217C(CE)	12.2	—	14.2	
	UCPX17	101.6	381	102	283	27	59	42	202	—	96	39.7	—	—	—	—	M22	UCX17	95500	71400	PX17	—	—	17.1	—	—	
	UCP317	112	420	110	320	33	45	45	221	234	96	40	—	164	—	18	M27	UC317	132000	96500	P317	—	CUCP317C(CE)	18.6	—	27.0	
90	UCP218	101.6	327	88	262	27	33	34	200	211	96	39.7	—	164	—	17	M22	UC218	95500	71400	P218	—	CUCP218C(CE)	14.7	—	18.2	
	UCPX18	101.6	381	111	283	27	60	45	206	—	104	42.9	—	—	—	—	M22	UCX18	109000	81600	PX18	—	—	17.0	—	—	
	UCP318	118	430	110	330	33	45	50	233	245	96	40	—	168	—	20	M27	UC318	143000	107200	P318	—	CUCP318C(CE)	20.9	—	30.4	
95	UCP319	125	470	120	360	36	50	50	250	257	103	41	—	180	—	20	M30	UC319	153000	118400	P319	—	CUCP319C(CE)	26.5	—	36.8	
100	UCPX20	127	432	121	337	33	64	52	250	—	117.5	49.2	—	—	—	—	M27	UCX20	134000	104700	PX20	—	—	33.0	—	—	
	UCP320	140	490	120	380	36	50	55	275	282	108	42	—	190	—	21	M30	UC320	173000	140400	P320	—	CUCP320C(CE)	34.3	—	44.9	
105	UCP321	140	490	120	380	36	50	55	278	287	112	44	—	194	—	21	M30	UC321	183000	153100	P321	—	CUCP321C(CE)	36.6	—	45.2	
110	UCP322	150	520	140	400	40	55	60	295	305	117	46	—	210	—	26	M33	UC322	205000	178800	P322	—	CUCP322C(CE)	42.5	—	54.7	
120	UCP324	160	570	140	450	40	55	70	321	328	126	51	—	220	—	25	M33	UC324	207000	184800	P324	—	CUCP324C(CE)	53.5	—	73.8	
130	UCP326	180	600	140	480	40	55	80	354	358	135	54	—	230	—	24	M33	UC326	229000	214300	P326	—	CUCP326C(CE)	72.1	—	92.2	
140	UCP328	200	620	140	500	40	55	80	388	388	145	59	—	240	—	24	M33	UC328	255000	246000	P328	—	CUCP328C(CE)	89.1	—	110	

Remarks (1): Grease nipple :

1/4-28UNF for bore number 13

PF1/8 for bore number 14 and over

Remarks (2): Examples of number of units with covers:

With steel cover { Covers with rubber seal on both sides : UCP210C  
 { An end cover and a cover with rubber seal : UCP210E  
 With cast cover { Covers with rubber seal on both sides : CUCP210C  
 { An end cover and a cover with rubber seal : CUCP210CE