

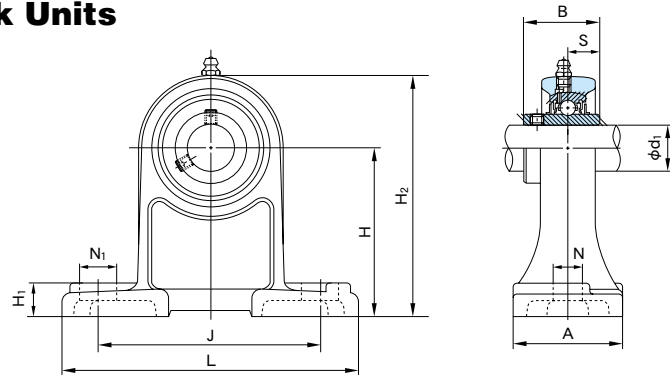
## Pillow Block Units

UCPH type

With set screws

Cylindrical bore

Shaft dia. : 12 ~ 50mm



1N=0.102kgf

Shaft dia. d <sub>1</sub> (mm)	Unit No.	Boundary dimensions (mm)										Bolt size	Bearings		Housing No.	Mass of Unit (kg)	
		H	L	A	J	N	N <sub>1</sub>	H <sub>1</sub>	H <sub>2</sub>	B	S		No.	Basic load rating (N)			
														Cr			Cor
12	UCPH201	70	127	40	95	13	19	15	101	31	12.7	M10	UC201	12800	6600	PH204	1.0
15	UCPH202	70	127	40	95	13	19	15	101	31	12.7	M10	UC202	12800	6600	PH204	0.99
17	UCPH203	70	127	40	95	13	19	15	101	31	12.7	M10	UC203	12800	6600	PH204	0.98
20	UCPH204	70	127	40	95	13	19	15	101	31	12.7	M10	UC204	12800	6600	PH204	0.96
25	UCPH205	80	140	50	105	13	19	16	114	34	14.3	M10	UC205	14000	7900	PH205	1.2
30	UCPH206	90	165	50	121	17	21	18	130	38.1	15.9	M14	UC206	19600	11300	PH206	1.9
35	UCPH207	95	167	60	127	17	21	19	140	42.9	17.5	M14	UC207	25900	15400	PH207	2.4
40	UCPH208	100	184	70	137	17	25	19	149	49.2	19	M14	UC208	29300	17900	PH208	2.8
45	UCPH209	105	190	70	146	17	25	20	157	49.2	19	M14	UC209	33000	20500	PH209	3.2
50	UCPH210	110	206	70	159	20	25	22	165	51.6	19	M16	UC210	35500	23200	PH210	3.6

Remarks: Grease nipple :1/4-28UNF

