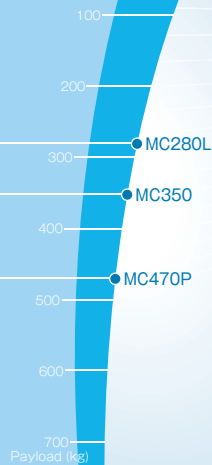


Robots for Handling Heavy Loads

MC350/MC280L/MC470P



Linkage-less construction is simple and compact

- Simple construction has no counterweights or parallel linkage
Compact form can be installed in small places

Expansive operating stroke and lifting capabilities

- Plenty of wrist torque (1.7 times our existing model) easily handles large work pieces
- Long arm type (MC280L) has maximum reach of 3,101 mm
- Super heavy lifting type (MC470P) can lift up to 470 kg (wrist must be directed downward)

High-speed motion

- Lower weight and greater rigidity make it the fastest robot in its class
- Reduce cycle times by up to 15% (compared to our existing model)

MC350/MC280L/MC470P

◆ Robot specifications

Item		Specifications			
Robot model		MC350-01	MC280L-01	MC470P-01	
Structure		Articulated construction			
No. of axes		6			
Drive system		AC servo system			
Max. working envelope	Arm	J1 Swivel	$\pm 3.14\text{rad} (\pm 180^\circ)$		
		J2 Horizontal	$-1.75 \sim +0.70\text{rad} (-100^\circ \sim +40^\circ)$		
		J3 Vertical	$-3.14 \sim +2.27\text{rad} (-180^\circ \sim +130^\circ)$	$-2.57 \sim +2.27\text{rad} (-147^\circ \sim +130^\circ)$	$-3.14 \sim +0.61\text{rad} (-180^\circ \sim +35^\circ)$
	Wrist	J4 Rotation2	$\pm 6.28\text{rad} (\pm 360^\circ)$		
		J5 Bend	$\pm 2.18\text{rad} (\pm 125^\circ)$		
		J6 Rotation1	$\pm 6.28\text{rad} (\pm 360^\circ)$		
Max. speed	Arm	J1 Swivel	1.83rad/s (105°/s)		
		J2 Horizontal	1.66rad/s (95°/s)	1.83rad/s (105°/s)	1.66rad/s (95°/s)
		J3 Vertical	1.66rad/s (95°/s)		
	Wrist	J4 Rotation2	1.92rad/s (110°/s)	2.09rad/s (120°/s)	1.92rad/s (110°/s)
		J5 Bend	1.92rad/s (110°/s)	2.09rad/s (120°/s)	1.92rad/s (110°/s)
		J6 Rotation1	3.14rad/s (180°/s)	3.49rad/s (200°/s)	3.14rad/s (180°/s)
Payload	Wrist	350kg	280kg	470kg	
	Forearm ¹	Max. 50kg	Max. 25kg	Max. 30kg	
Allowable static load torque	J4 Rotation2	2750N·m	1921N·m	2750N·m	
	J5 Bend	2750N·m	1921N·m	2750N·m	
	J6 Rotation1	1235N·m	988N·m	0N·m	
Max. allowable moment of inertia ²	J4 Rotation2	400kg·m ²			
	J5 Bend	400kg·m ²			
	J6 Rotation1	250kg·m ²			
Max. reach	2,771mm	3,101mm	2,771mm		
Position repeatability ³	$\pm 0.09\text{mm}$				
Ambient temperature	0 to 45°C ⁴				
Ambient humidity	20 to 85% RH (without condensation)				
Vibration	0.5 G or less				
Installation	Floor mount				
Weight	1620kg	1700kg	1620kg		

1[rad] = 180/π[°], 1[N·m] = 1/9.8[kgf·m]

*1: Load specification of number 1 arm varies according to wrist load conditions and installation position.

*2: Note that the allowable moment of inertia of wrist varies with the wrist load conditions.

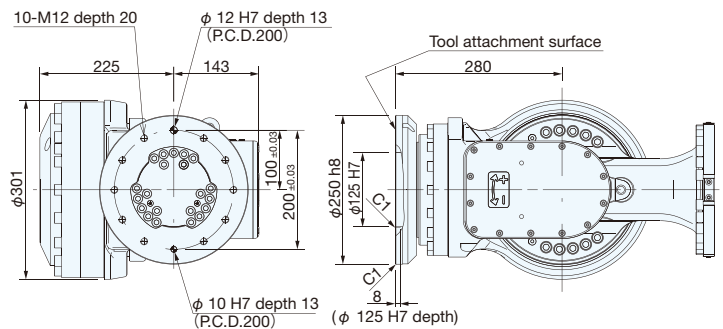
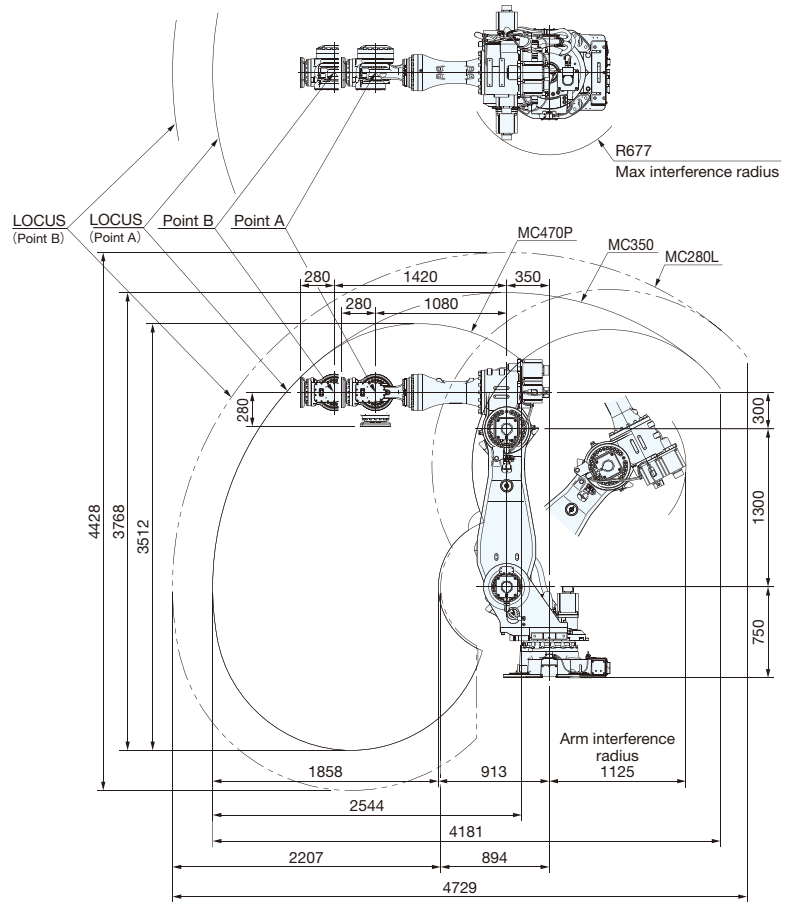
*3: JIS B 8432 compliant.

*4: Permitted height is not higher than 1,000m above sea level. If used in higher place, permitted temperature is affected by height.

*5: Software limits the downward vertical range of axis 5 to $\pm 5^\circ$. Axis 4 can move $\pm 360^\circ$ and axis 5 can move $\pm 125^\circ$ only when the encoder correction screen or the software limit settings screen is open.

◆ Exterior dimensions and working envelope

MC350-01/MC280L-01/MC470P-01



NACHI

NACHI-FUJIKOSHI CORP.

www.nachi.com

Head Office Shiodome Sumitomo Bldg, 17F, 1-9-2 Higashi-Shinbashi, Minato-ku, Tokyo 105-0021
 Robot Division 1-1-1 Fujikoshi-Honmachi, Toyama 930-8511, JAPAN

Tel: +81-(0)3-5568-5111
 Tel: +81-(0)76-456-2223

Fax: +81-(0)3-5568-5206
 Fax: +81-(0)76-493-5252

NACHI ROBOTIC SYSTEMS INC.
 NACHI MEXICANA, S.A. DE C.V.
 NACHI EUROPE GmbH
 NACHI TECHNOLOGY (THAILAND) CO., LTD.
 PT.NACHI INDONESIA
 NACHI-FUJIKOSHI (CHINA) CO., LTD.

Michigan, U.S.A.
 MEXICO
 GERMANY
 THAILAND
 INDONESIA
 CHINA

Tel: +1-248-305-6545
 Tel: +52-442-153-2424
 Tel: +49-(0)2151-65046-0
 Tel: +66(38)961679
 Tel: +62-021-527-2841
 Tel: +86-(0)21-6915-2200

Fax: +1-248-305-6542
 Fax: +52-442-153-2435
 Fax: +49-(0)2151-65046-90
 Fax: +66(38)961683
 Fax: +62-021-527-3029
 Fax: +86-(0)21-6915-5427

<http://www.nachirobotics.com>
<http://www.nachi.com.mx/>
<http://www.nachi.de/>
<http://www.nachi.co.th/>
<http://www.nachi.co.id/>
<https://www.nachi.com.cn/>

●The specifications are subject to changes without notice.

●In case that an end user uses this product for military purpose or production of weapon, this product may be liable for the subject of export restriction stipulated in the Foreign Exchange and Foreign Trade Act. Please go through careful investigation and necessary formalities for export.

CATALOG NO. **R7309E-3**

2024.02. * -ABE-ABE